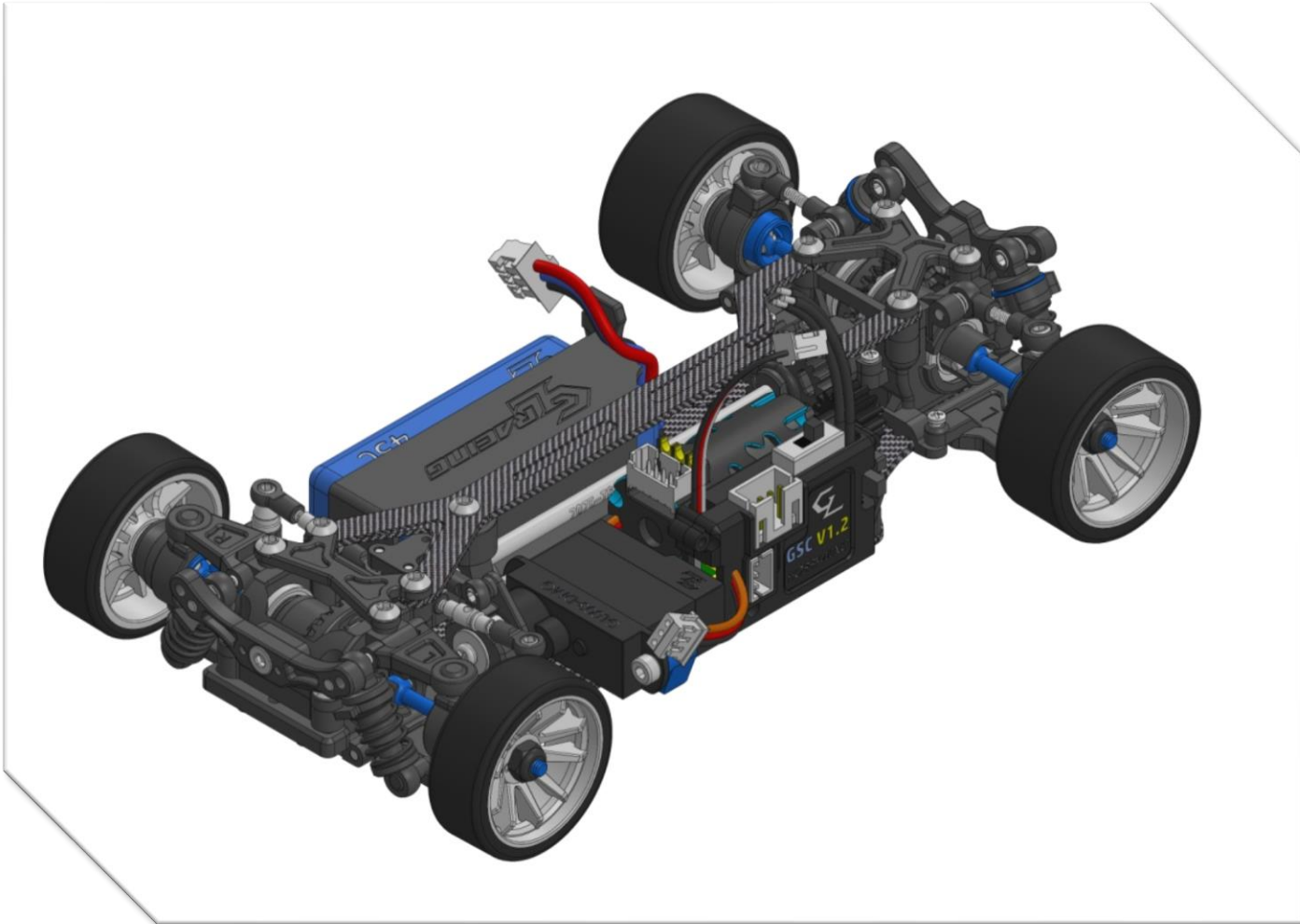


GLA-v2

Assembly Guide

www.gl-racing.com

Ver00



Bag A



A1



A2



A5



A6



A9



A10



A3



A4



A7



A8



A11



A12



A14



A15



A19



A20 x5



A13 x2



A16



A17 x2



A21



A18 x5



A22



A23
































A24



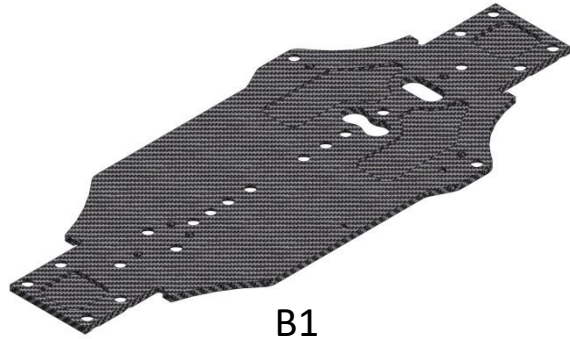
A25

Bag A

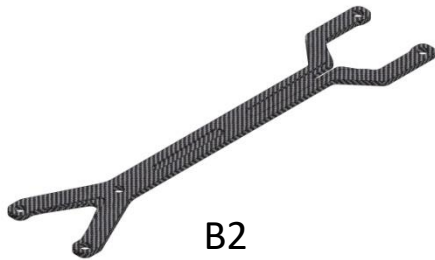
 <p>A26 x2</p>  <p>A27 x2</p>  <p>A28 x3</p>  <p>A29 x2</p>  <p>A30 x2</p>	 <p>A31</p>  <p>A32</p>  <p>A33</p>  <p>A34</p>  <p>11T</p>  <p>12T</p>  <p>13T</p>  <p>14T</p>  <p>15T</p>  <p>16T</p>  <p>17T</p>	
 <p>A35</p>  <p>A36</p>  <p>A37</p>  <p>SM1 (2.2x6x0.5)</p>  <p>C31 (M1.6x6 PB)</p>	 <p>A38 x4 (3.0 Ball Joint)</p>  <p>A39 x6 (2.5 Ball Joint)</p>	 <p>A40 x5 (Thick)</p>  <p>A41 x5 (Thin)</p>  <p>A42 x2 (Long)</p>  <p>A43 x2 (Long)</p>  <p>A44 x2 (Short)</p>  <p>A45 x2 (Short)</p>

Bag B

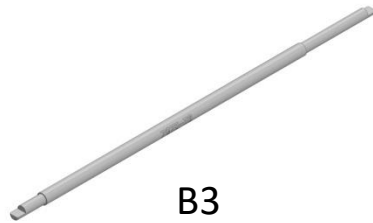
Bag C



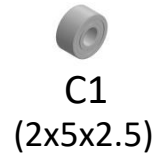
B1



B2



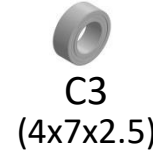
B3



C1
(2x5x2.5)



C2 x12
(3x6x2)



C3
(4x7x2.5)



C4 x4
(6x10x2.5)



C5 x2
(2.5 Ball Stuff)



C6 x8
(3.0 Ball Stuff)



C7 x4
(2.5 Ball Stuff)



C8 x21
(2.0 Ball)



C9 x2



C10 x4



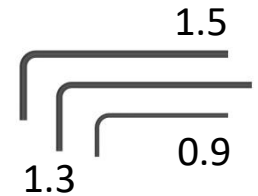
C11 x4



C12 x3



C13



Hex Key



C14 x3
(M1.2x16)



C15 x5
(M1.5x10)



C16 x3
(M1.5x16)



C17 x2
(Turnbuckle
M1.5x14)



C18 x3
(M1.5x7.5)



C19 x2
(M1.5x6)



C20 x15
(M2x4 KB)



C22 x13
(M2x4 PB)



C21 x6
(M2x4 KM)



C23 x6
(M2x4 PM)



C24 x4
(M2x4
Cup Head)



C26 x3
(M2x6 KB)



C25 x2
(M2x5 KM)



C27 x4
(M2x8 PB)



SM2 x5
(3x4.5x0.1)



SM3 x5
(5x7x0.1)



SM4 x5
(5x7x0.2)



SM5 x5
(5x7x0.3)



SM6 x5
(6x8x0.1)



SM7 x5
(6x8x0.2)



SM8 x5
(6x8x0.3)



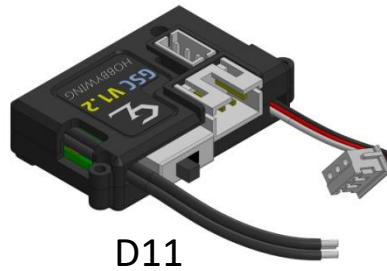
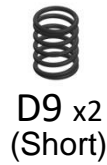
C28 x10
(M1.2x4 PB)

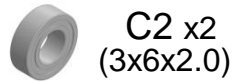


C30 x2
(M2x12 PM)



C29 x3
(M1.2 x5 KA)





C2 x2
(3x6x2.0)



C8 x20
(2.0 Ball)



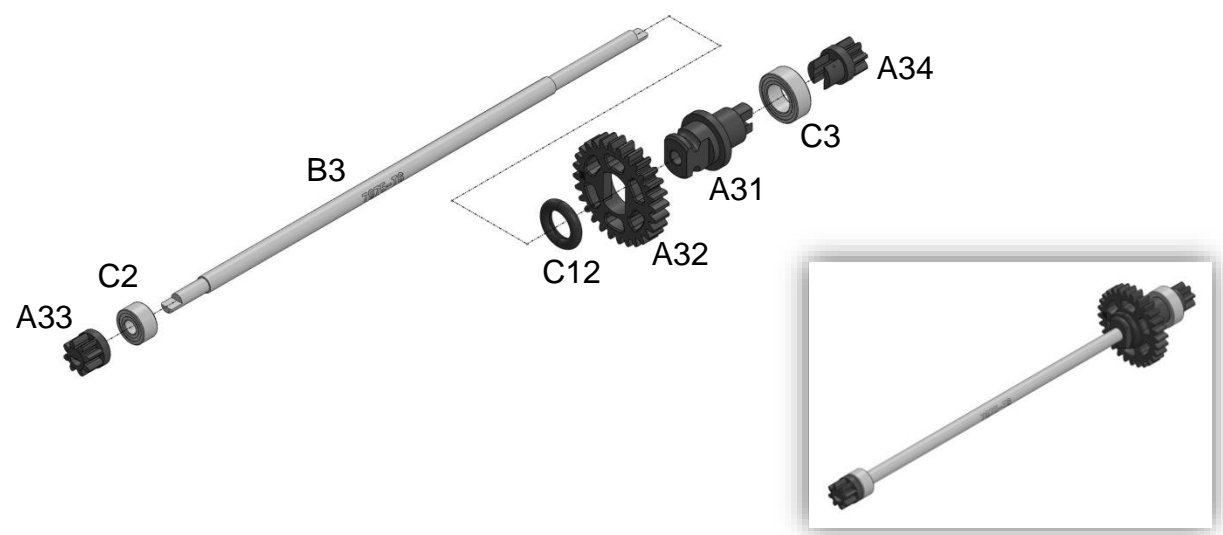
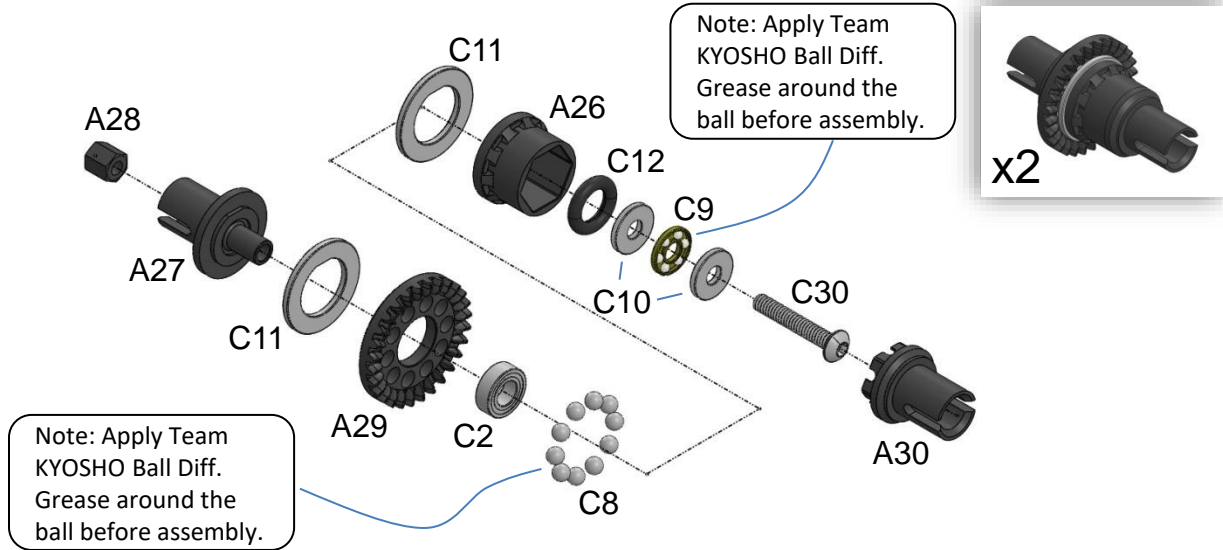
C30 x2
(M2x12 PM)



C2
(2x5x2.5)



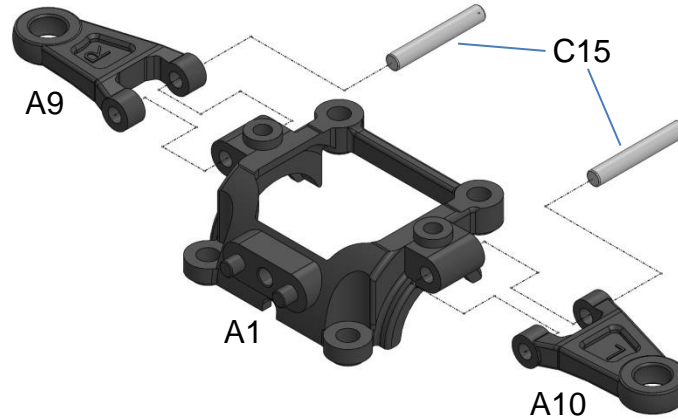
C3
(4x7x2.5)



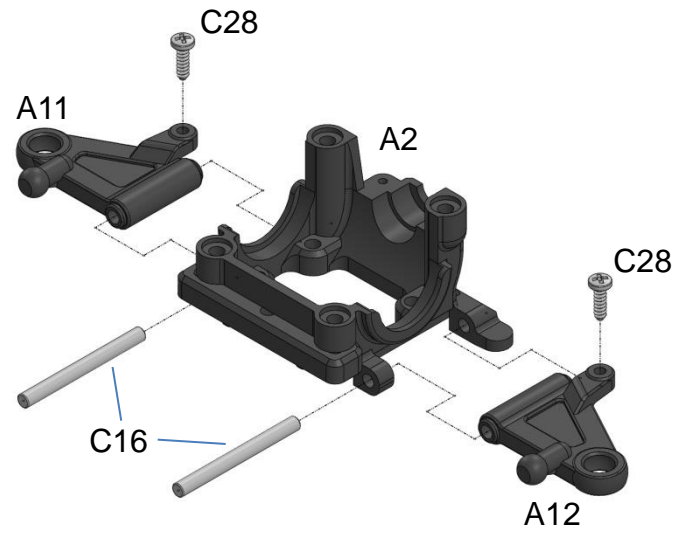
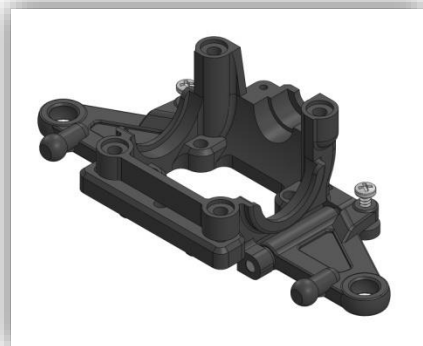
C15 x2
(M1.5x10)

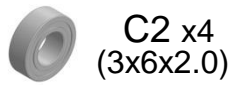
C16 x2
(M1.5x16)

C28 x2
(M1.2x4 PB)



Tips: Check the parts (A9,A10, A11 and A12) are moving freely to go next step.





C2 x4
(3x6x2.0)



C6 x2
(3.0 Ball Stuff)



C14 x2
(M1.2x16)



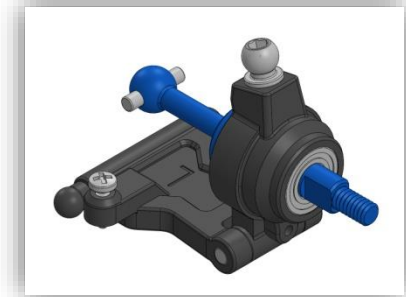
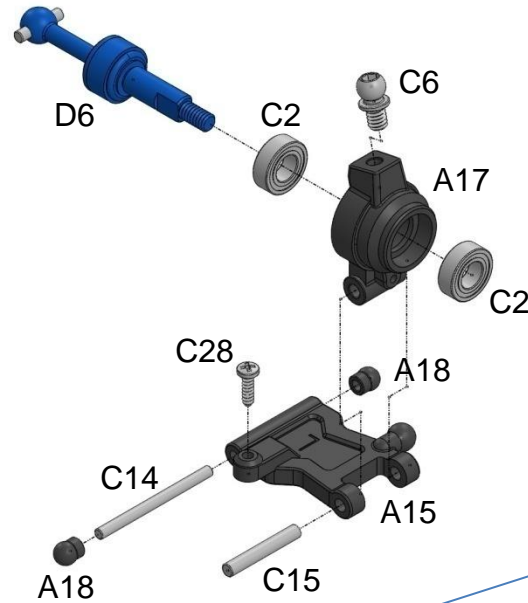
C15 x2
(M1.5x10)



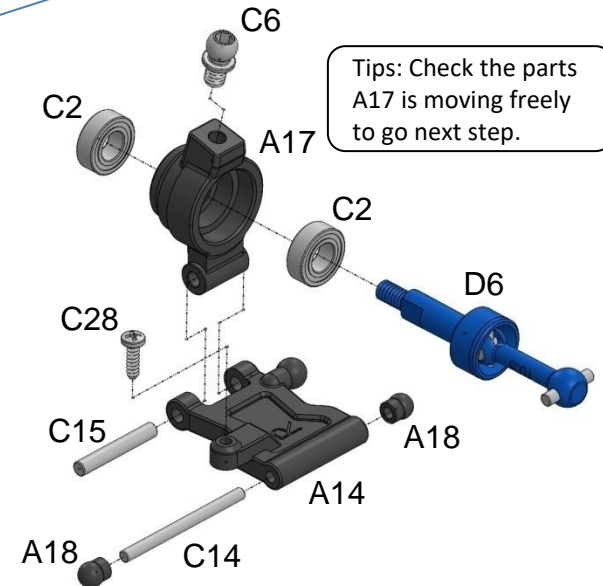
C28 x2
(M1.2x4 PB)



D6 x2
(Universal Shaft)



Tips: Check the parts
A17 is moving freely
to go next step.

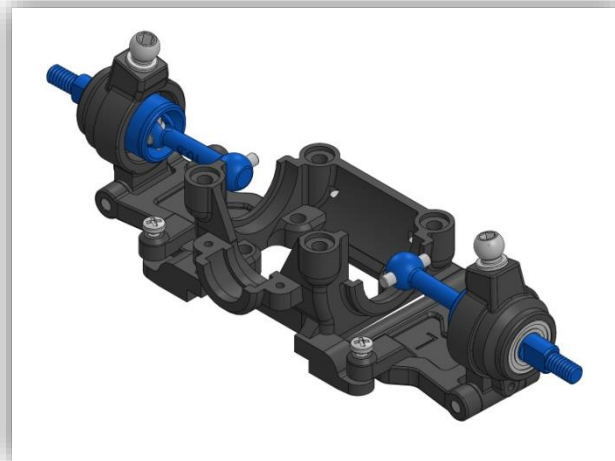
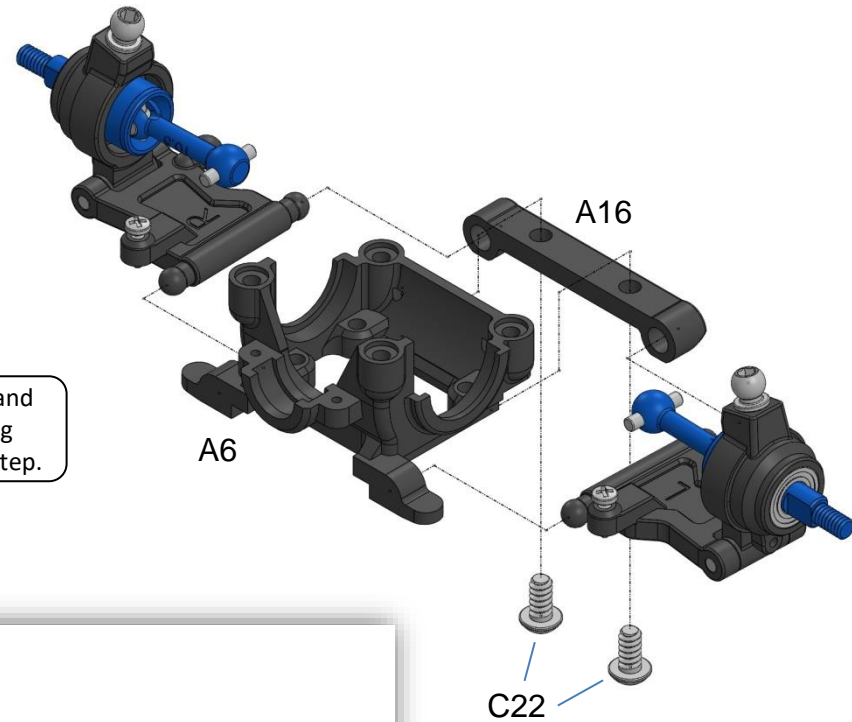


Tips: Check the parts
A17 is moving freely
to go next step.



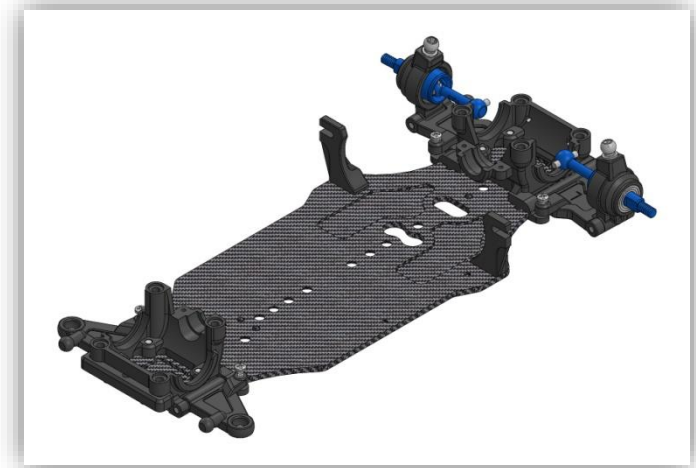
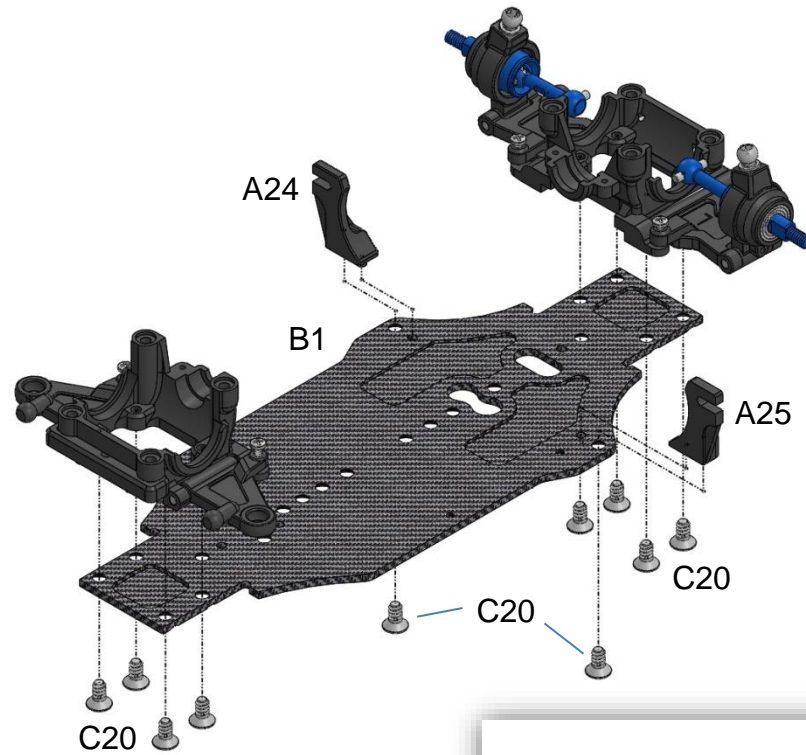
C22 x2
(M2x4 PB)


Tips: Check the L and R arms are moving freely to go next step.




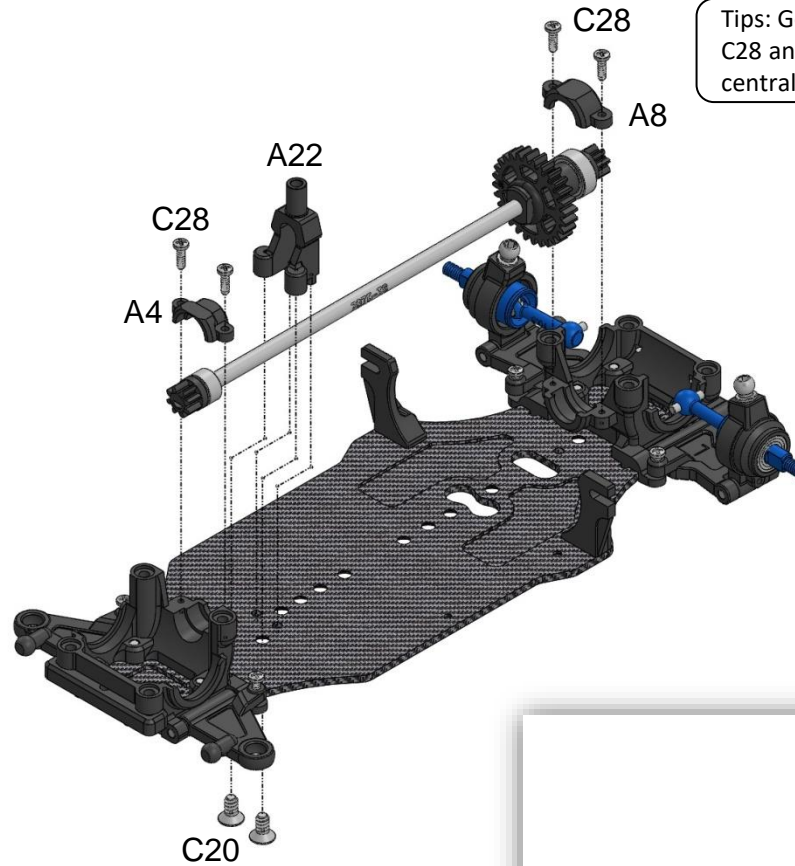


C20 x10
(M2x4 KB)

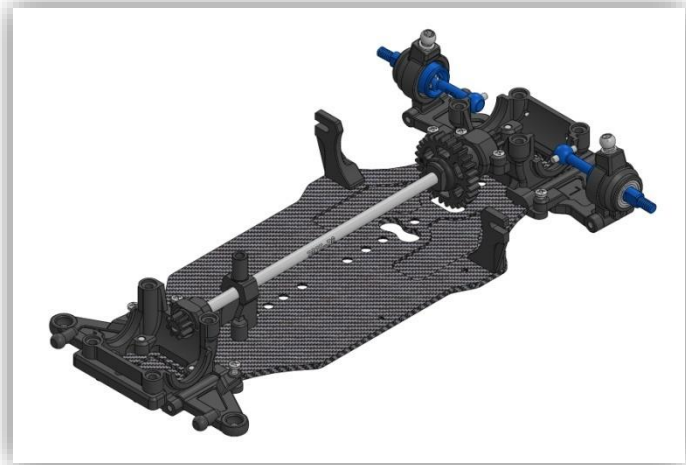


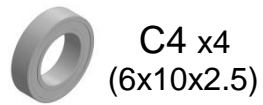
 C20 x2
(M2x4 KB)

 C28 x4
(M1.2x4 PB)

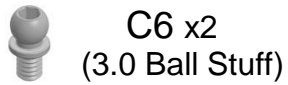


Tips: Gently to tighten the C28 and confirming the central shaft rotating freely.

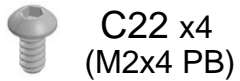




C4 x4
(6x10x2.5)



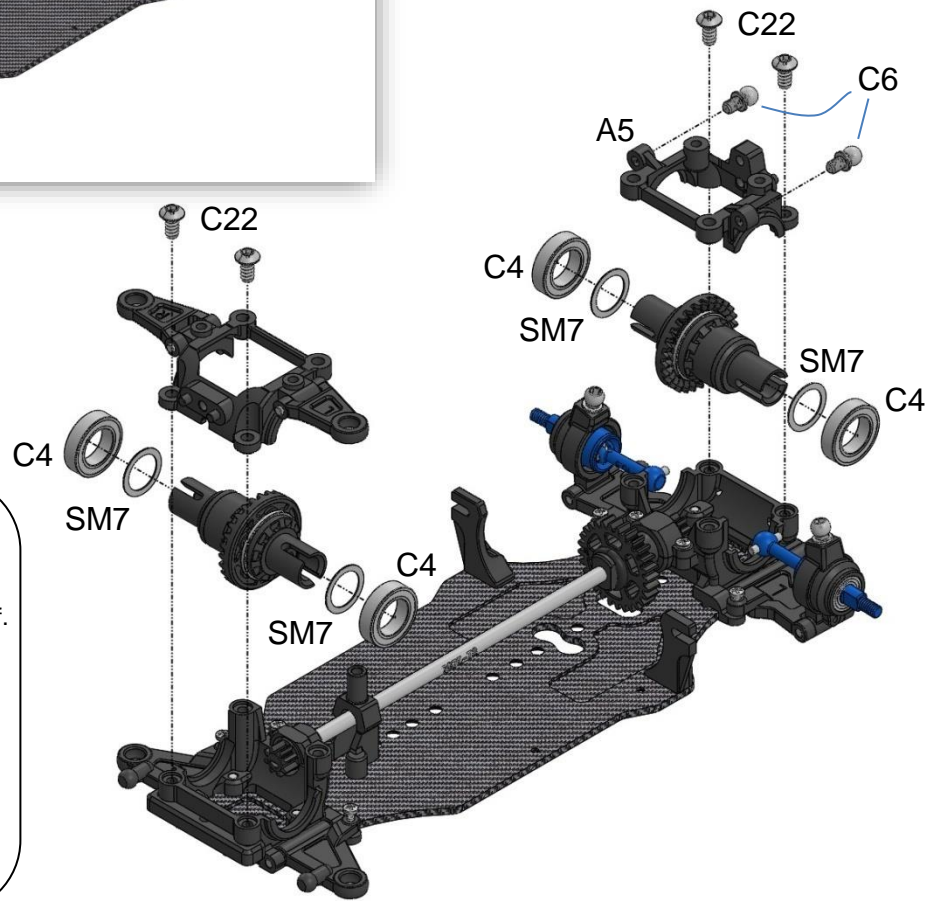
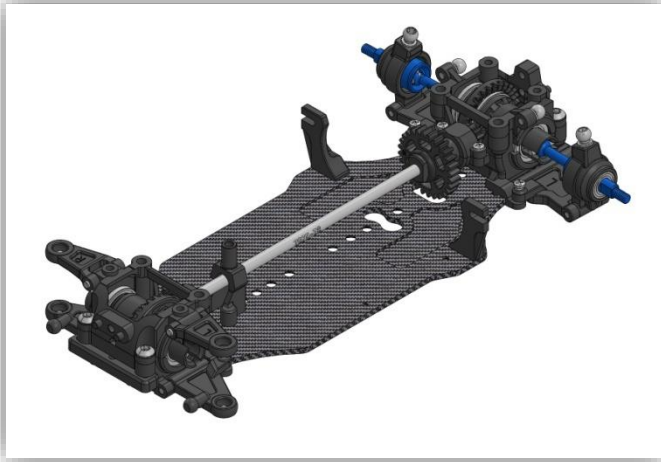
C6 x2
(3.0 Ball Stuff)



C22 x4
(M2x4 PB)



SM7 x4
(6x8x0.2)



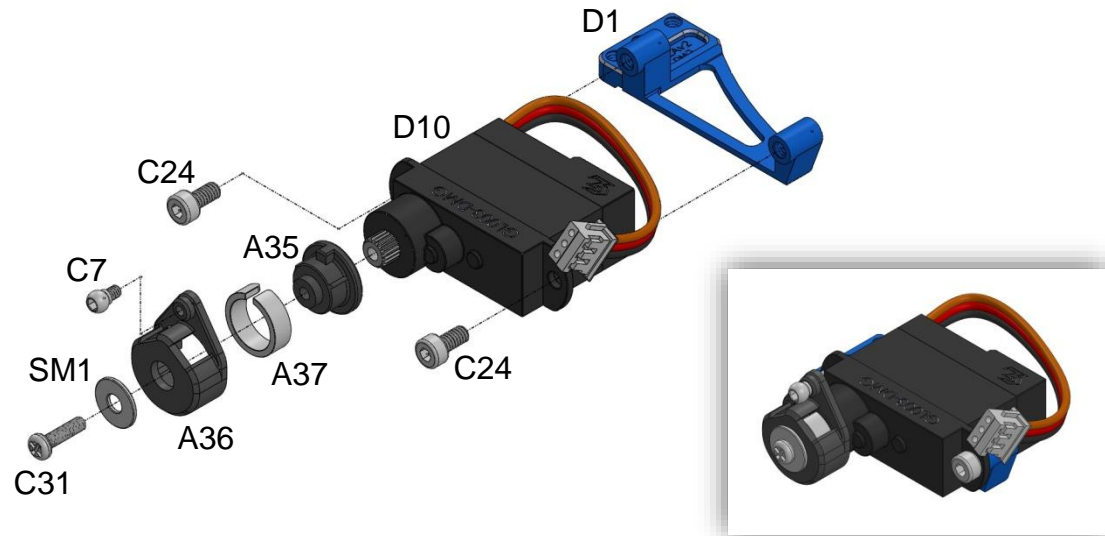
Tips:

If the center shaft too tight, add shim here to release gear gap.



Add shim here to push the diff. gear closer center gear.

Applying shims (SM6, SM7, SM8) on both end of the Ball Diff. for the adjustment of the gear gap to let running smooth.

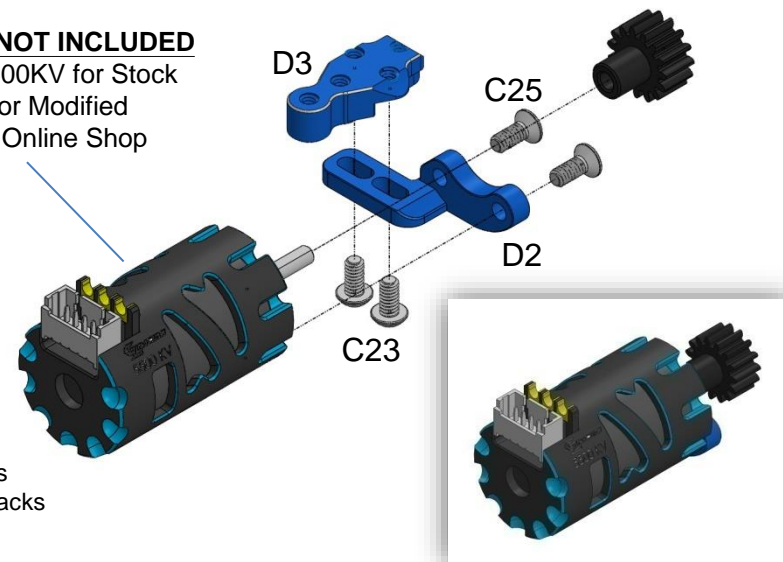
-  C7 x1
(2.5 Ball Stuff)
-  C23 x2
(M2x4 PM)
-  C24 x2
(M2x4 Cup Head)
-  C25 x2
(M2x5 KM)
-  C31 x1
M1.6x6 PB
-  SM1 x1
(2.2x6x0.5)



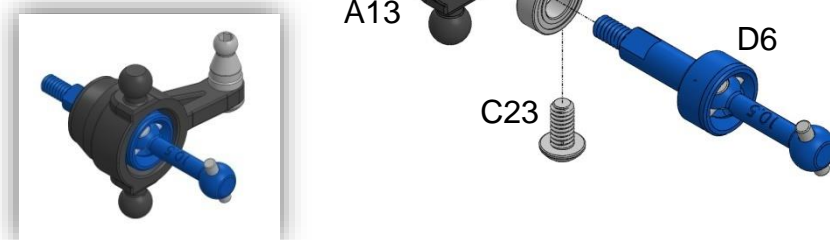
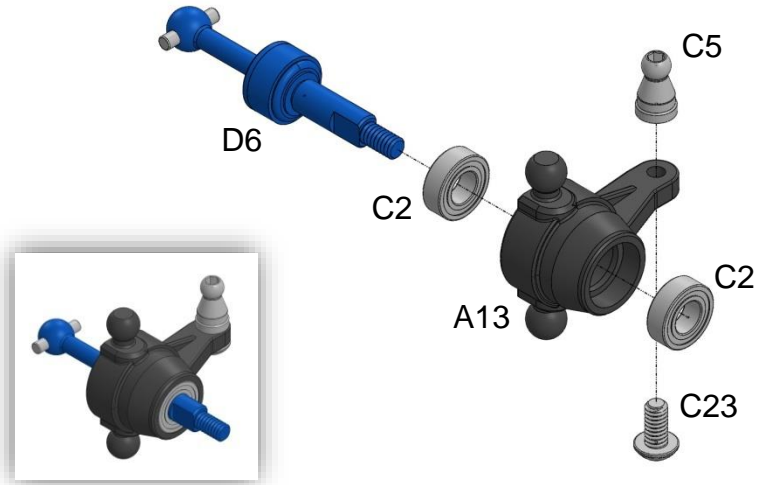
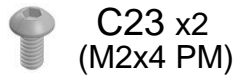
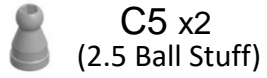
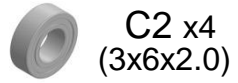
GLA Gear Ratios					
			Kit		
3.5	26	27	28	29	30
11		8.6	8.9	9.2	9.5
12	7.6	7.9	8.2	8.5	8.8
13	7.0	7.3	7.5	7.8	8.1
14	6.5	6.8	7.0	7.3	7.5
15	6.1	6.3	6.5	6.8	
16	5.7	5.9	6.1		
17	5.4	5.6			

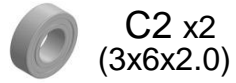
 Not for 15 & 16mm motor
 Not for 16mm motor

Brushless Motor is NOT INCLUDED
 Recommended 4500KV for Stock
 And 6800KV for Modified
 Available at GL Online Shop

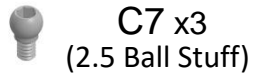


- 11T-17T Pinions are included with GLA kit, 26T-30T spurs will be available as options
- 5000~5500KV try ~6.5 gear ratio, recommended power for racers at small/medium tracks
- 7000~7500KV try ~7.5 gear ratio, for expert racers at large tracks
- 9000~9500KV try ~8.5 gear ratio, when you just want the fastest car...





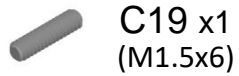
C2 x2
(3x6x2.0)



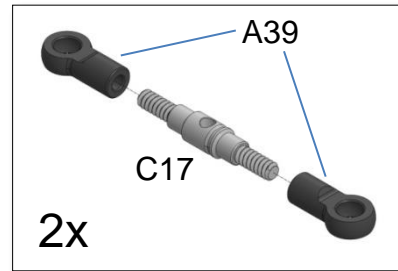
C7 x3
(2.5 Ball Stuff)



C17 x2
(Turnbuckle M1.5x14)

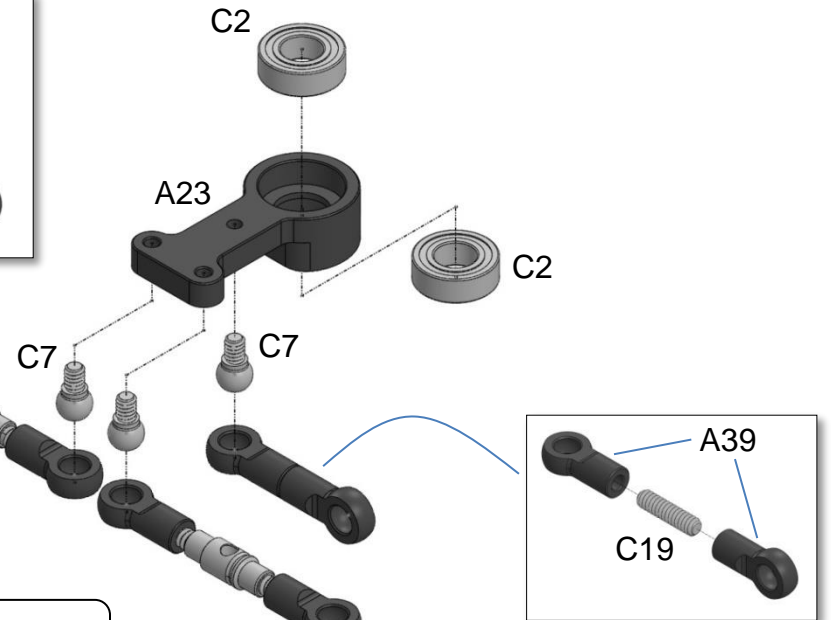
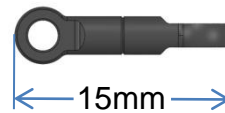



C19 x1
(M1.5x6)




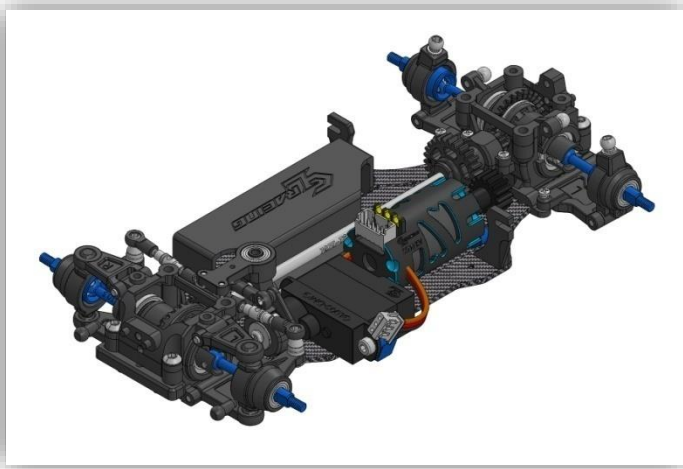
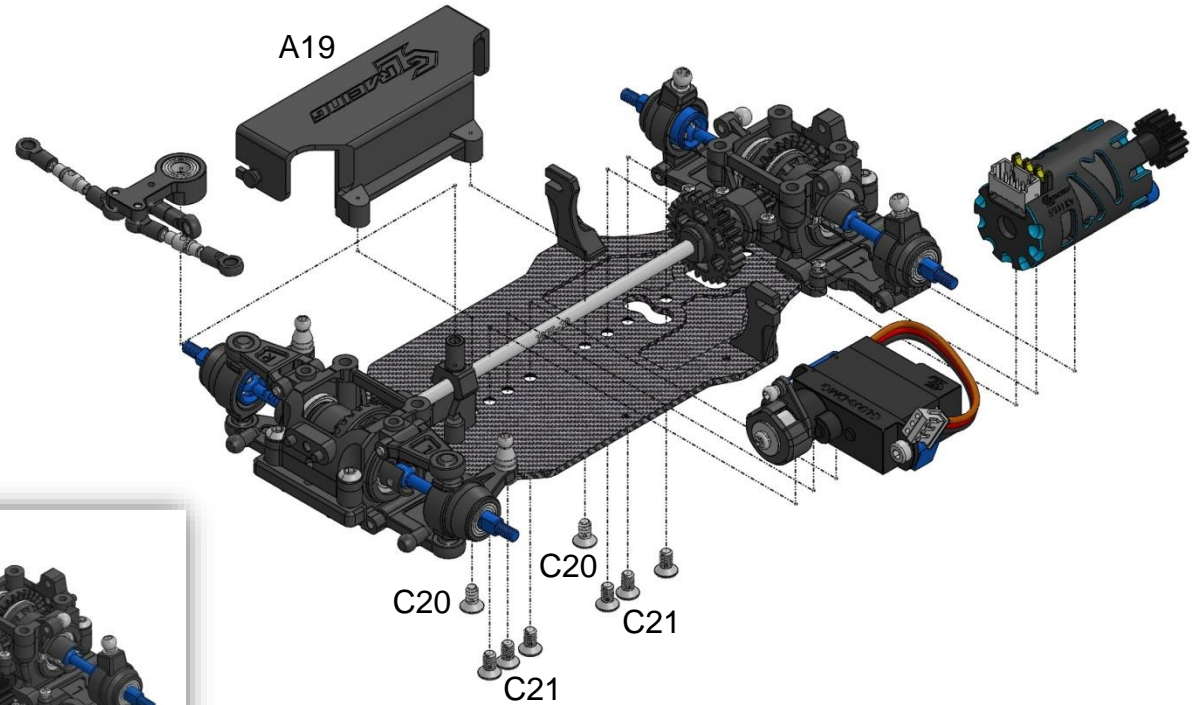
Tips: Check all the ball joints are moving freely to go next step.


Tips: Shorter the length means steering toe-out for easy handling.





 C20 x2
(M2x4 KB)


 C21 x6
(M2x4 KM)



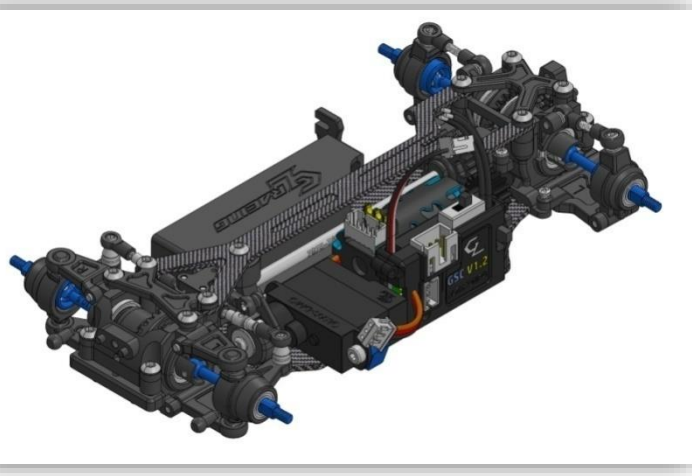
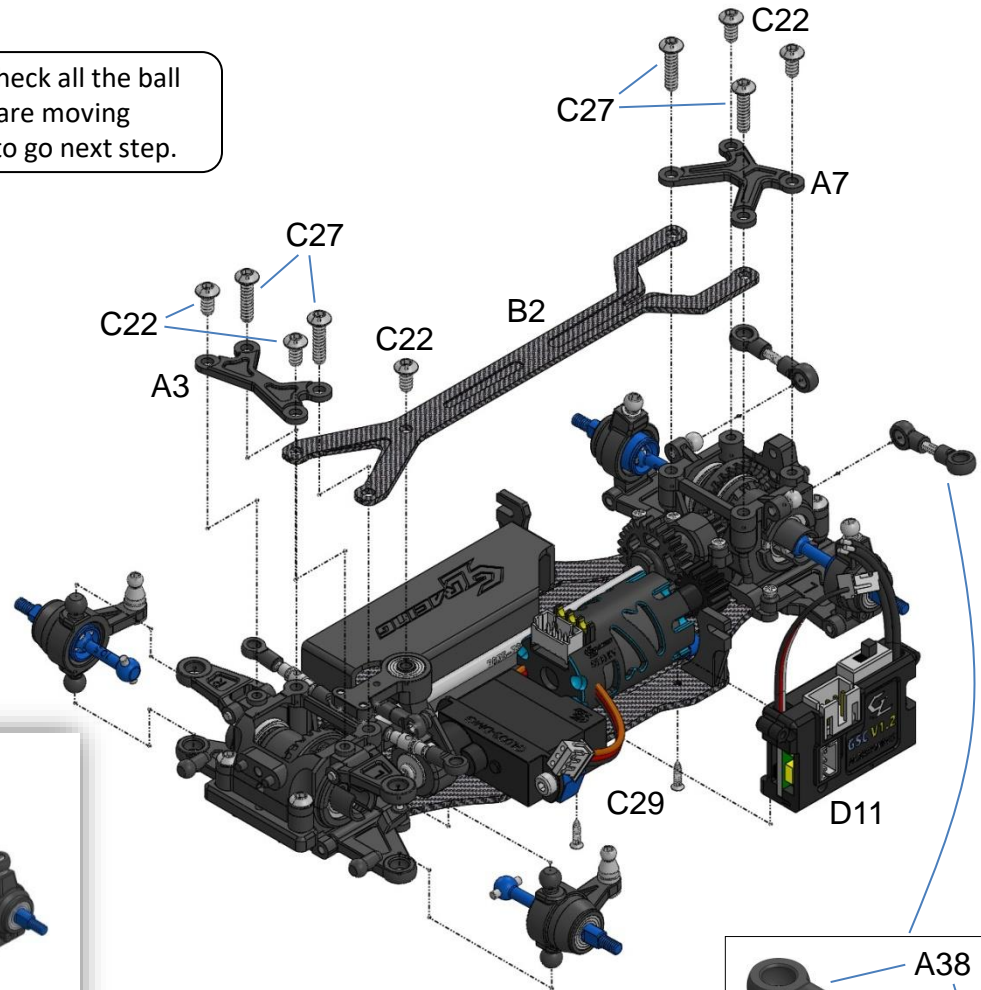
 C22 x5
(M2x4 PB)

 C18 x2
(M1.5x7.5)

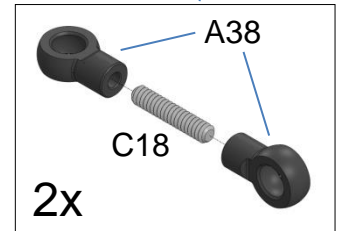
 C27 x4
(M2x8 PB)

 C29 x2
(M1.2x5 KA)

Tips: Check all the ball joints are moving freely to go next step.



Tips: Shorter the length means camber toe-in for chassis set up option.

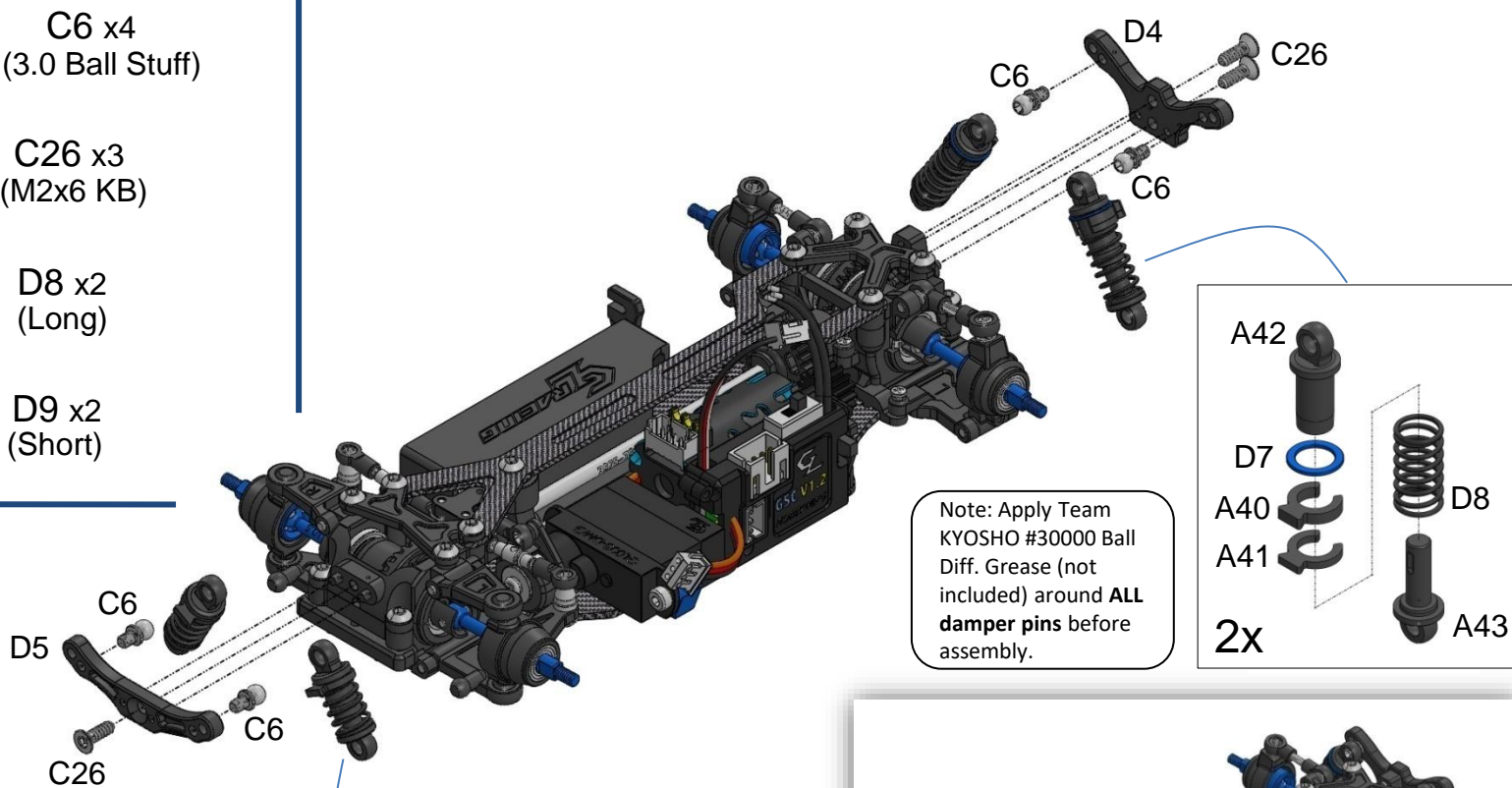


C6 x4
(3.0 Ball Stuff)

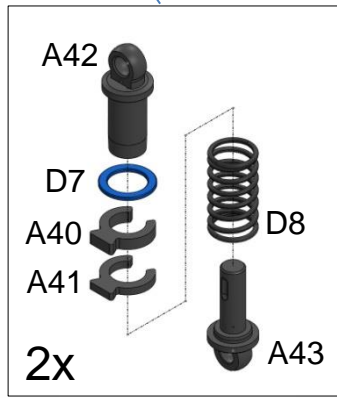
C26 x3
(M2x6 KB)

D8 x2
(Long)

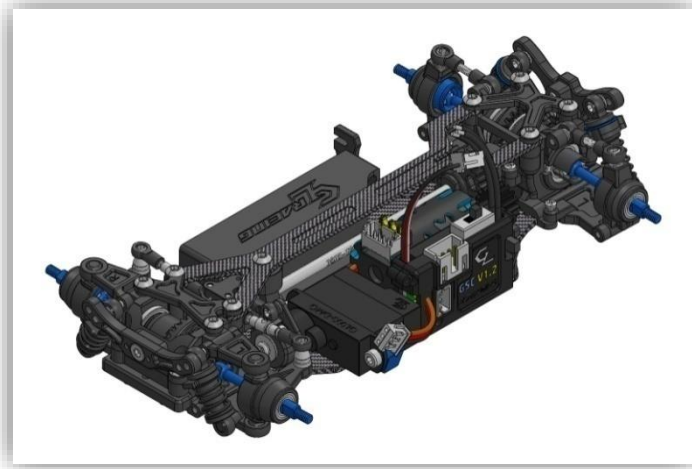
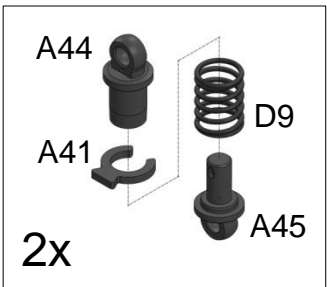
D9 x2
(Short)

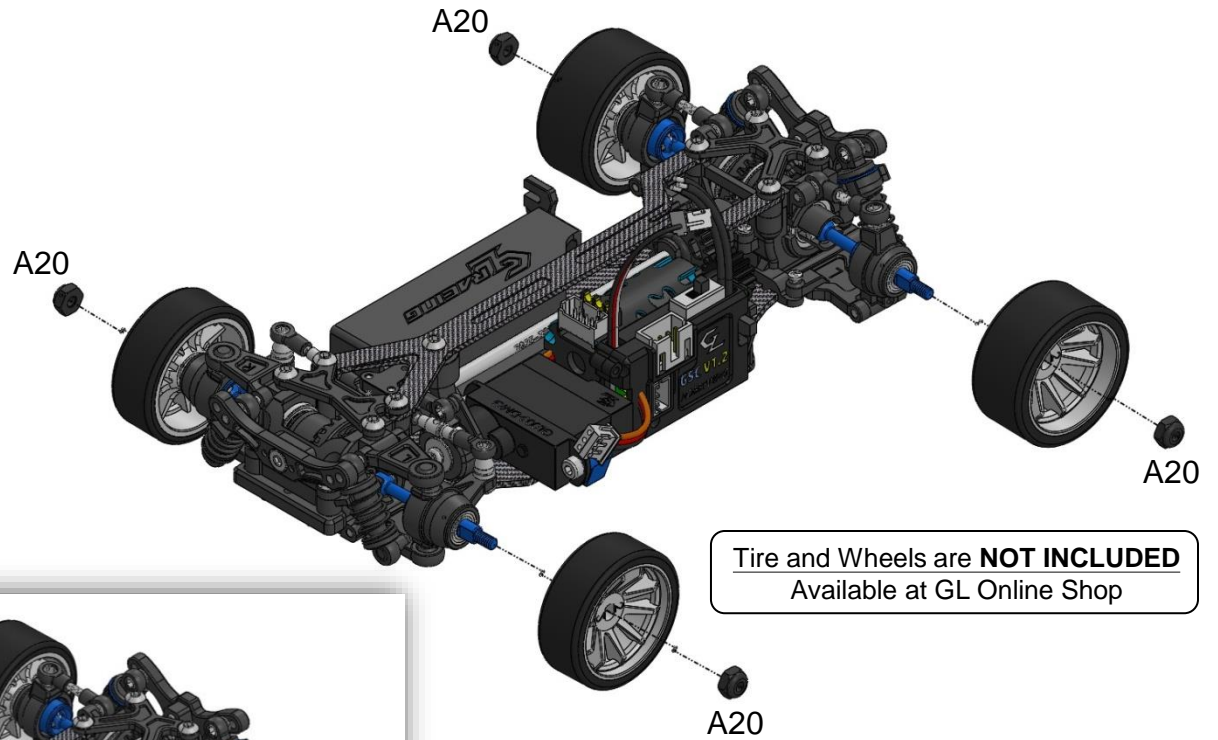


Note: Apply Team KYOSHO #30000 Ball Diff. Grease (not included) around **ALL damper pins** before assembly.

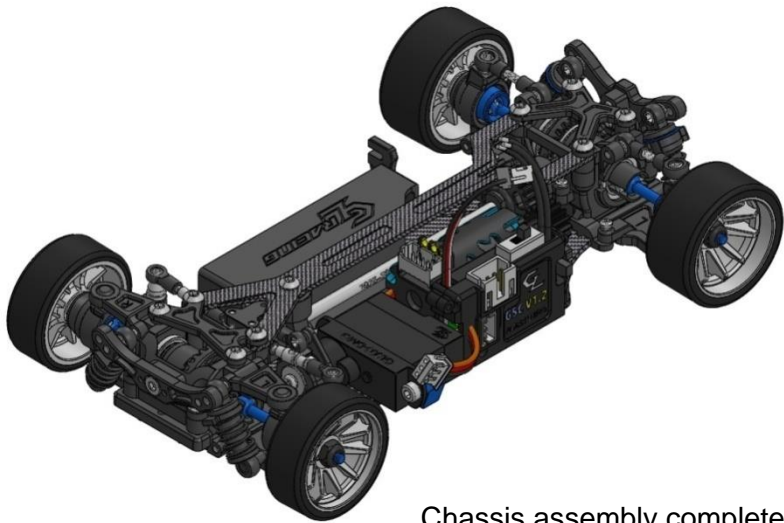


Note: Apply Team KYOSHO #30000 Ball Diff. Grease (not included) around **ALL damper pins** before assembly.





Tire and Wheels are **NOT INCLUDED**
Available at GL Online Shop



Chassis assembly completed